

TECHNICAL DATA SHEET

LED Track Light / EN-TLC020-01, EN-TLC030-01

VERSION - 29.08.2017

STANDARD LUMINAIRE

Reference	EN-TLC020-01	EN-TLC030-01
Power	20 W	30 W
Current	520 mA	720 mA
Protection Class	IP20	IP20

Dimensions	3-pin track: 128 x Ht.256mm 4-pin track: 128 x Ht.267mm
Voltage	AC220-240V, 50-60Hz
Led Type	Cree Cob
CRI	80+ OR 90+
Beam Angle	15°, 24°, 38°, 60°
Dimmable	Yes
Installation	Track or Surface-Mounted
Working T°	-20°C ~ +45°C
Warranty	5 years

APPLICATION:

- perfect replacement for conventional halogen light
- shopping mall, clothing shop
- museum or art gallery
- commercial complex, showroom,



FINISH

Standard	White, Black, Silver
----------	----------------------

ON REQUEST

CRI	80+, 90+
Beam Angle	15°, 24°, 38° or 60°
Honeycomb	Honeycomb protection
Installation Type	On 3-pin track On 4-pin track Surface-Mounted
Dimming Option	Triac, Dali, 1-10V <i>Ask technical departement for more information</i>

COLOR TEMPERATURE & LUMINOUS FLUX

EN-TLC020-01

2'700K	3'000K	4'000K	5'000K
1626 lm ±5%	1705 lm ±5%	1803 lm ±5%	1860 lm ±5%

EN-TLC030-01

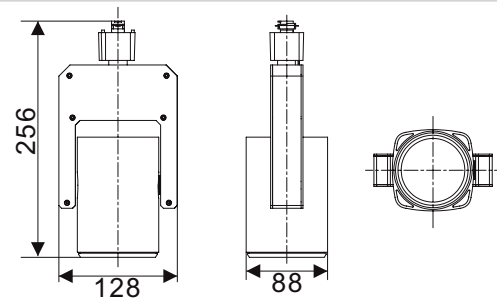
2'700K	3'000K	4'000K	5'000K
2413 lm ±5%	2561 lm ±5%	2709 lm ±5%	2801 lm ±5%

CERTIFICAT

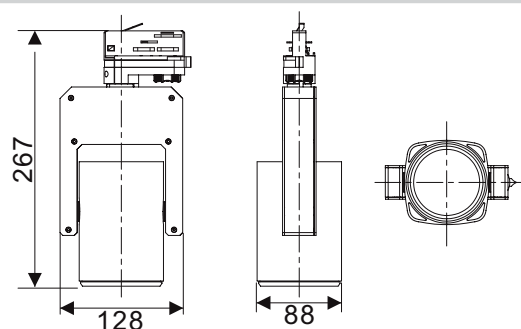
CE RoHS

TECHNICAL DRAWINGS

3-pin track



4-pin track



AGABEKOV



AGABEKOV SA Manufacture 6, ROUTE DE COMPOIS
CH-1222 VÉSENAZ - GENEVA - SWITZERLAND
Tel. +41 22 752 47 45 Fax. +41 22 752 37 08
E - mail: info@aaabekov.com



AGABEKOV SA Bureau d'etudes 6, ROUTE DE COMPOIS
CH-1222 VÉSENAZ - GENEVA - SWITZERLAND
Tel. +41 22 752 47 45 Fax. +41 22 752 37 08
Internet: www.aaabekov.com

