

TECHNICAL DATA SHEET

LL3AL IP65 / Flex Led

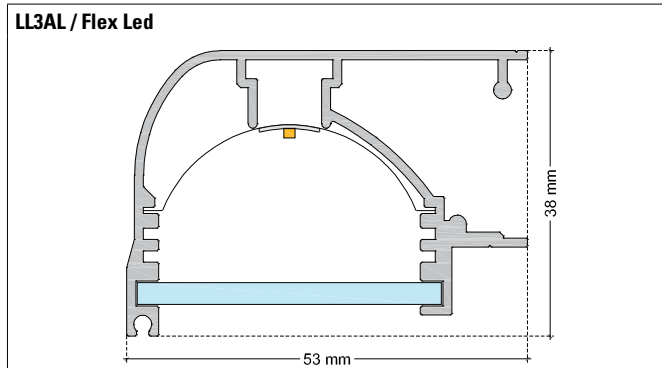
VERSION - 30.04.2018

STANDARD LUMINAIRE

Reference	LL3AL
Protection Class	IP65
Lighting Source	Flex Led
Dimensions	53 x 38mm
Lenght standard	495 - 990 - 1485 - 1980mm
Lenght on measure	on request up to 2970mm
Nb Lighting Unit	70 LED/m
Voltage	24V
Power	4.8W/m
Connecting Cable	Both Side: 20cm standard cable 2x2.5mm ²
End Caps	EL3

APPLICATION: DOWNWARDS FACADE LIGHTING

LL3AL / Flex Led



FINISH

Color Finishing Profil

Standard	Natural Anodised Aluminium
On request	Thermo-enameling Powder Coating RAL Color Anodising Polished Aluminium Chrome Aspect Polished Aluminium Gold Aspect

Glass Finishing

Standard	VAT: Clear Glass
On request	VAO: Opaline

ON REQUEST

Fixation	FLP Series
Grid	GLA / GLB or GTC / GTD
Other	CF : Front Visor
Connecting Plug	AMS / AF or AMS-E / AF-E
Dimming Option	1-10V, Dali, KNX Ask technical departement for more information

On Request: Longitudinal Grid

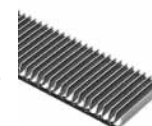
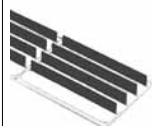
Simple: GLA

Simple: GLB

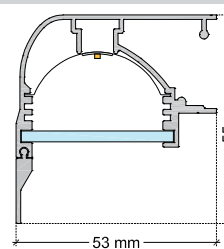
On Request: Transversal Grid

Simple: GTC

Double: GTD



On Request: Front Visor CF



LIGHTING SOURCE

Lighting Source	Flex Led
Voltage	24V
Power	4.8W/m
Nb Led	60 LED/m - LED Pitch: 16.8mm
Beam Angle	120°
CRI	>80
Cut-Out	every 100mm
Lifetime	50'000h or 5 years
Working T°	-30°C to +75°C

Color Temperature & Luminous Flux / Meter

CCT	2700K	3000K	4000K
lm/m	390 lm	390 lm	425 lm

CERTIFICAT



AGABEKOV



AGABEKOV SA *Manufacture* 6, ROUTE DE COMPOIS
CH-1222 VÉSENAZ - GENEVA - SWITZERLAND
Tel. +41 22 752 47 45 Fax. +41 22 752 37 08
E - mail: info@agabekov.com



AGABEKOV SA *Bureau d'etudes* 6, ROUTE DE COMPOIS
CH-1222 VÉSENAZ - GENEVA - SWITZERLAND
Tel. +41 22 752 47 45 Fax. +41 22 752 37 08
Internet: www.agabekov.com

