

TECHNICAL DATA SHEET

Hanging Rod with Light / LPALW Plywood IP20 / Aga-Led® Type B

VERSION - 05.01.2017

STANDARD LUMINAIRE

Reference	LPALW
Protection Class	IP20
Lighting Source	Aga-Led® Type B
Connector	Rigid Loop on B'Light conductor 16mm ²
Dimensions	ø34mm
Standard Length	330 - 1000 - 1670 - 2000mm
Length on measure	on request up to 3000mm
Nb Lighting Source	17 LED/m
Voltage	24V
Power	16.32W/m to 20.4 W/m
Connecting Cable	1m standard cable 2x1.5mm ²
Wall Fixation	FT1-W

APPLICATION: Wardrobes Lighting



FINISH

Color Finishing Profil

Standard Plywood

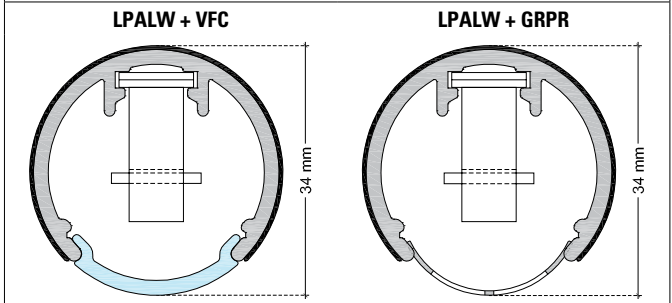
Glass Finishing

Standard VFC: Clear Glass
 On request VFO: Opaline Glass

Wall Fixation & Median Support Finishing

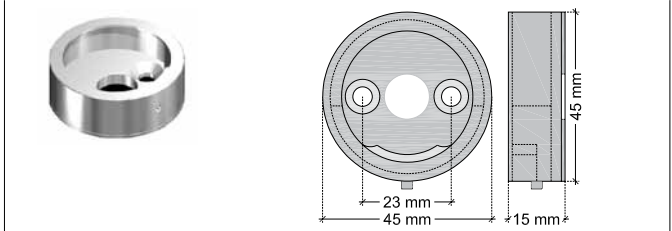
Standard Natural Anodised Aluminium
 On request Thermo-Enameling
 Powder Coating RAL
 Color Anodising
 Polished Aluminium Chrome Aspect
 Polished Aluminium Old Gold Aspect

LPALW / AGA-LED® TYPE B - Rigid Loop



WALL FIXATION : FT1-W

Not available in plywood



ON REQUEST

Fixation	FC-W: Median Support
Grid	GRPR (Grid not possible with Aga-Led® B3)
Connection	IDP: Door Switch
Dimming Option	1-10V, Dali, KNX Ask technical department for more information

LIGHTING SOURCE

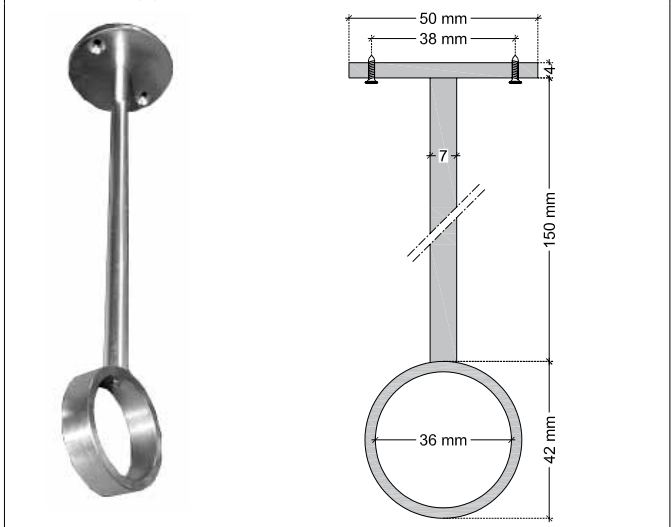
Lighting Source	Aga-Led® Type B - Generation 2	
Ref	B3	B6
Voltage	24V	24V
Power	0.96W	1.2W
Beam Angle	120°	120°
CRI	80	80
Lifetime	50'000h	
Working T°	-20°C to +45°C	
Environmental protection	Modified acrylate resin	

Color Temperature & Luminous Flux / Unit

	2200K	2400K	2700K	3000K	4000K
Aga-Led® B3-G2	--	97 lm	137lm	137lm	137lm
Aga-Led® B6-G2	129 lm	140 lm	166 lm	166 lm	166 lm

MEDIAN SUPPORT : FC-W

Every 900mm for a safe installation
 Not available in plywood



CERTIFICAT

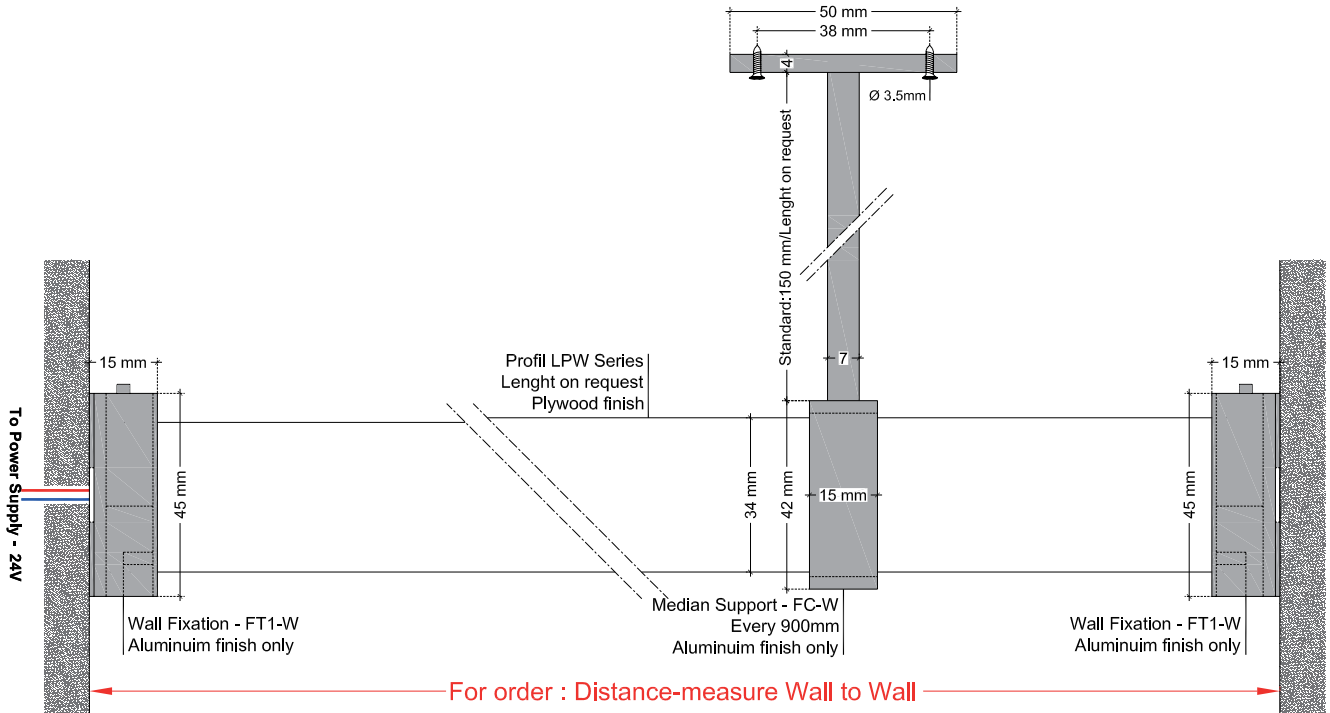


AGABEKOV

TECHNICAL DATA SHEET

Hanging Rod with Light / INSTALLATION

VERSION - 03.08.2016



AGABEKOV



AGABEKOV SA Manufacture 6, ROUTE DE COMPOIS
CH-1222 VÉSENAZ - GENEVA - SWITZERLAND
Tel. +41 22 752 47 45 Fax. +41 22 752 37 08
E-mail: info@agabekov.com



AGABEKOV SA Bureau d'etudes 6, ROUTE DE COMPOIS
CH-1222 VÉSENAZ - GENEVA - SWITZERLAND
Tel. +41 22 752 47 45 Fax. +41 22 752 37 08
Internet: www.agabekov.com

