

TECHNICAL DATA SHEET

LU4TAL IP66 / Flex Led

VERSION - 30.04.2018

STANDARD LUMINAIRE

Reference	LU4TAL66
Protection Class	IP66
Lighting Source	Flex Led
Dimensions	53 x 55mm
Lenght standard	230 - 630 - 1130 - 1630 - 2130mm
Lenght on measure	on request up to 2930mm
Nb Lighting Source	70 LED/m
Voltage	24V
Power	4.8W/m
Connecting Cable	One Side: 1m cable Silicone 180° 2x1.5mm ²
End Caps	EL3

FINISH

Finishing Tube

Standard Polycarbonate
Not suitable for swimming-pool or chlorine environment

Color Finishing Profil

Standard Natural Anodised Aluminium
 On request Thermo-enameling
 Powder Coating RAL
 Color Anodising

ON REQUEST

Fixation	FLP Series
Connecting Cable	Two sides: in and out cables
Connecting Plug	AMS / AF or AMS-E / AF-E
Dimming Option	1-10V, Dali, KNX <i>Ask technical departement for more information</i>

LIGHTING SOURCE

Lighting Source	Flex Led
Voltage	24V
Power	4.8W/m
Nb Led	60 LED/m - LED Pitch: 16.8mm
Beam Angle	120°
CRI	>80
Cut-Out	every 100mm
Lifetime	50'000h or 5 years
Working T°	-30°C to +75°C

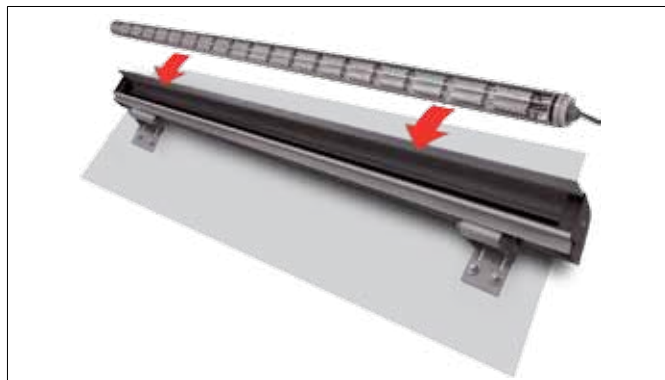
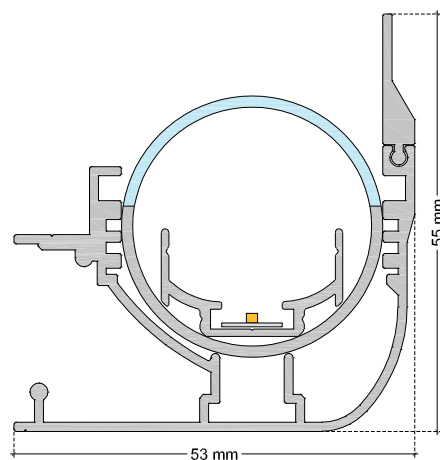
Color Temperature & Luminous Flux / Meter

CCT	2700K	3000K	4000K
lm/m	390 lm	390 lm	425 lm

CERTIFICAT



LU4TAL66 / Flex Led



ON REQUEST: Connecting Plug

AF/AMS



AF-E/AMS-E (IP68)

