

TECHNICAL DATA SHEET

LU4TAL IP66 / Aga-Led® Type B

VERSION - 06.01.2017

STANDARD LUMINAIRE

Reference	LU4TAL66
Protection Class	IP66
Lighting Source	Aga-Led® Type B
Connector	Rigid Loop on B'Light conductor 16mm ²
Dimensions	53 x 55mm
Lenght standard	185 - 515 - 1010 - 1505 - 2000 - 2660mm
Lenght on measure	on request up to 2990mm
Nb Lighting Source	16 LED/m
Voltage	24V
Power	With B3: 15.36W/m - With B6: 19.2 W/m
Connecting Cable	One Side: 1m cable Silicone 180° 2x1.5mm ²
End Caps	EL3

FINISH

Finishing Tube

Standard	Polycarbonate <i>Not suitable for swimming-pool or chlorine environment</i>
----------	--

Color Finishing Profil

Standard	Natural Anodised Aluminium
On request	<i>Thermo-enameling Powder Coating RAL Color Anodising</i>

ON REQUEST

Fixation	FLP Series
Connecting Cable	Two sides: in and out cables
Connecting Plug	AMS / AF or AMS-E / AF-E
Dimming Option	1-10V, Dali, KNX <i>Ask technical departement for more information</i>

LIGHTING SOURCE

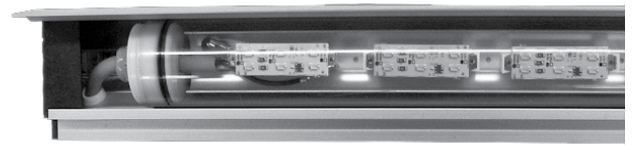
Lighting Source	Aga-Led® Type B - Generation 2	
Ref	B3	B6
Power	0.96W	1.2W
Voltage	24V	24V
Beam Angle	120°	120°
CRI	80	80
Lifetime	50'000h	
Working T°	-20°C to +45°C	

Environmental protection Modified acrylate resin

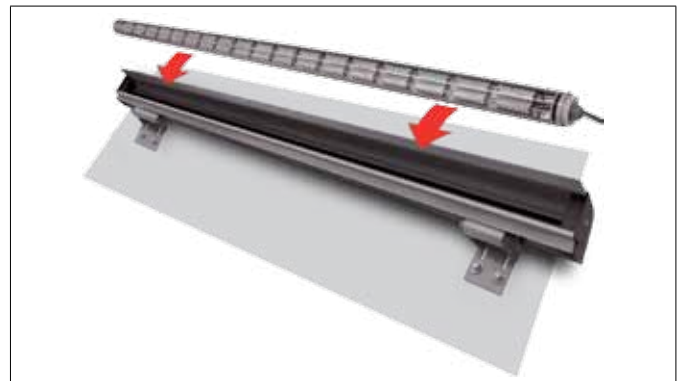
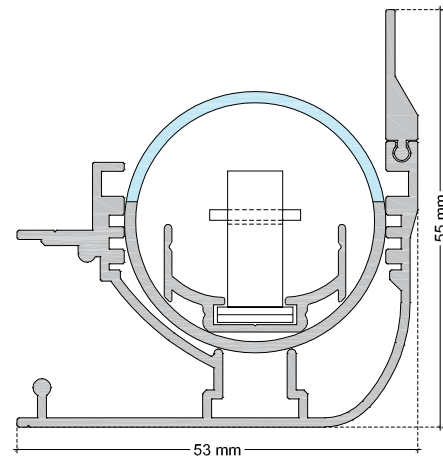
Color Temperature & Luminous Flux / Unit

	2200K	2400K	2700K	3000K	4000K
Aga-Led® B3-G2	--	97 lm	137lm	137lm	137lm
Aga-Led® B6-G2	129 lm	140 lm	166 lm	166 lm	166 lm

CERTIFICAT



LU4TAL66 / AGA-LED® TYPE B - Rigid Loop



ON REQUEST: Connecting Plug

AF/AMS



AF-E/AMS-E (IP68)



AGABEKOV



AGABEKOV SA Manufacture 6, ROUTE DE COMPOIS
CH-1222 VÉSENAZ - GENEVA - SWITZERLAND
Tel. +41 22 752 47 45 Fax. +41 22 752 37 08
E - mail: info@agabekov.com



AGABEKOV SA Bureau d'etudes 6, ROUTE DE COMPOIS
CH-1222 VÉSENAZ - GENEVA - SWITZERLAND
Tel. +41 22 752 47 45 Fax. +41 22 752 37 08
Internet: www.agabekov.com

