

TECHNICAL DATA SHEET

LU4TAL IP68 / Flex Led

VERSION - 30.04.2018

STANDARD LUMINAIRE

Reference	LU4TAL68
Protection Class	IP68 - 1meter
Lighting Source	Flex Led
Dimensions	ø35mm
Lenght standard	180 - 580 - 1080 - 1580 - 2080 - 2680 - 2980mm
Lenght on measure	on request up to 2980mm
Nb Lighting Source	60 LED/m
Voltage	24V
Power	4.8W/m
Connecting Cable	One Side: 1m cable Silicone 180° 2x1.5mm ²
End Caps	RECS

FINISH

Color Finishing Profil

Standard Polycarbonate
Not suitable for swimming-pool or chlorine environment

ON REQUEST

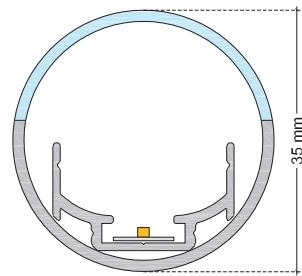
Fixation	FL (Width:+7mm - Ht:+10mm)
Connecting Cable	Two sides: in and out cables
Connecting Plug	AMS / AF or AMS-E / AF-E
Dimming Option	1-10V, Dali, KNX <i>Ask technical departement for more information</i>

LIGHTING SOURCE

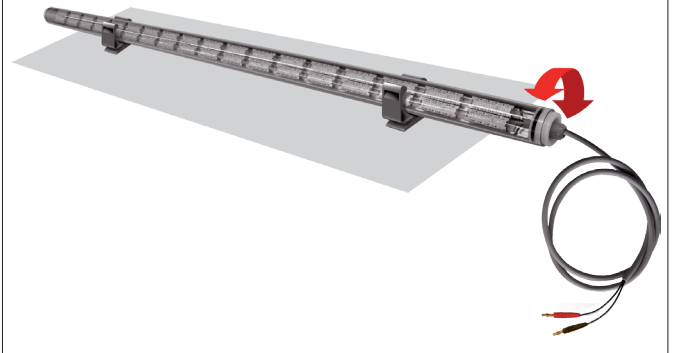
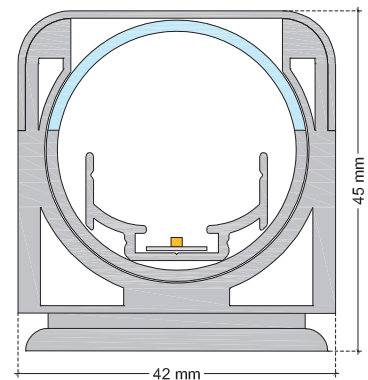
Lighting Source	Flex Led
Voltage	24V
Power	4.8W/m
Nb Led	60 LED/m
Nb Pitch	16.8mm
Beam Angle	120°
CRI	>80
Cut-Out	every 100mm
Lifetime	50'000h or 5 years
Working T°	-30°C to +75°C



LU4TAL68 / Flex Led



ON REQUEST: LU4T68 Fixation



ON REQUEST: Connecting Plug

AF/AMS



AF-E/AMS-E (IP68)



Color Temperature & Luminous Flux / Meter

CCT	2700K	3000K	4000K
lm/m	129 lm	140 lm	166 lm

CERTIFICAT

