

TECHNICAL DATA SHEET

LU4TSAL IP66 / Aga-Led® Type A

VERSION - 03.06.2016

STANDARD LUMINAIRE

Reference	LU4TSAL66
Protection Class	IP66
Lighting Source	Aga-Led® Type A
Connector	Festoon on B'Light conductor 16mm ²
Dimensions	53 x 55mm
Lenght standard	185 - 515 - 1010 - 1505 - 2000 - 2660mm
Lenght on measure	on request up to 2990mm
Nb Lighting Source	16 LED/m
Voltage	24V
Power	16 W/m
Connecting Cable	One Side: 1m cable Silicone 180° 2x1.5mm ²
End Caps	EL3



FINISH

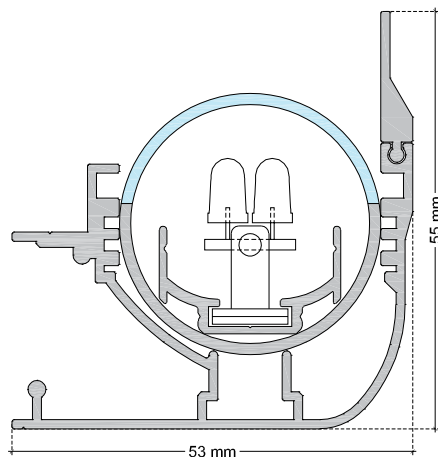
Finishing Tube

Standard	Polycarbonate
	<i>Not suitable for swimming-pool or chlorine environment</i>

Color Finishing Profil

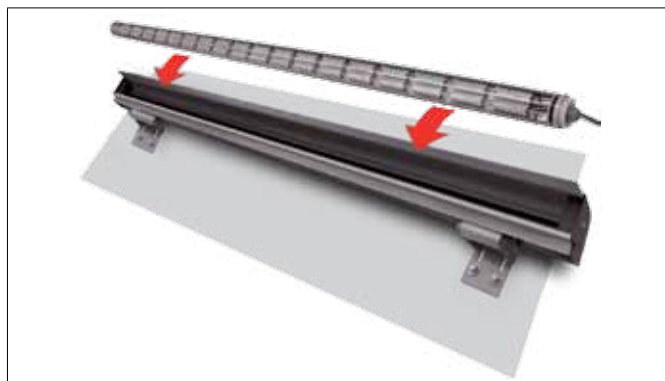
Standard	Natural Anodised Aluminium
On request	Thermo-enameling Powder Coating RAL Color Anodising

LU4TSAL66 / AGA-LED® TYPE A - Festoon



ON REQUEST

Fixation	FLP Series
Connecting Cable	Two sides: in and out cables
Connecting Plug	AMS / AF or AMS-E / AF-E
Dimming Option	1-10V, Dali, KNX <i>Ask technical departement for more information</i>



LIGHTING SOURCE

Lighting Source	Aga-Led® Type A
Ref	A10
Voltage	24V
Power	1W
Beam Angle	15°
CRI	80
Lifetime	60'000h
Working T°	-30°C ~ +55°C
Option	AGC: Anti Glare Optic



ON REQUEST: Connecting Plug

AF/AMS



AF-E/AMS-E (IP68)



Color Temperature & Luminous Flux / Unit

CCT	2800K	4000K
Luminous Flux/Unit	40 lm	45 lm

CERTIFICAT

